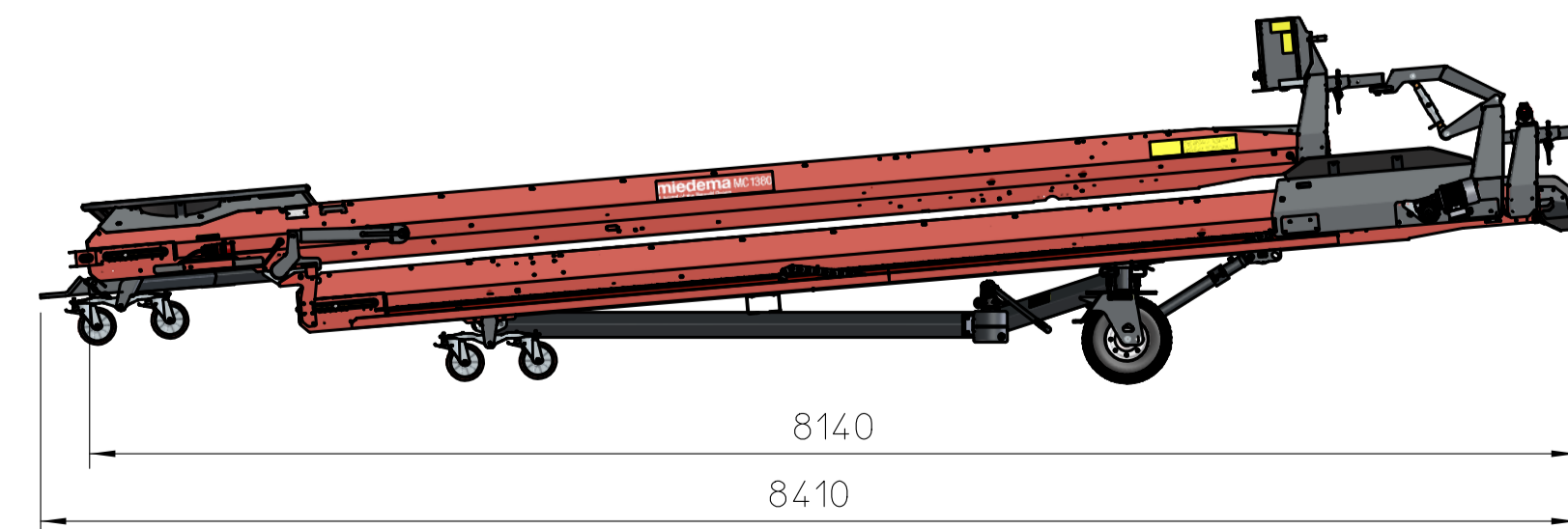
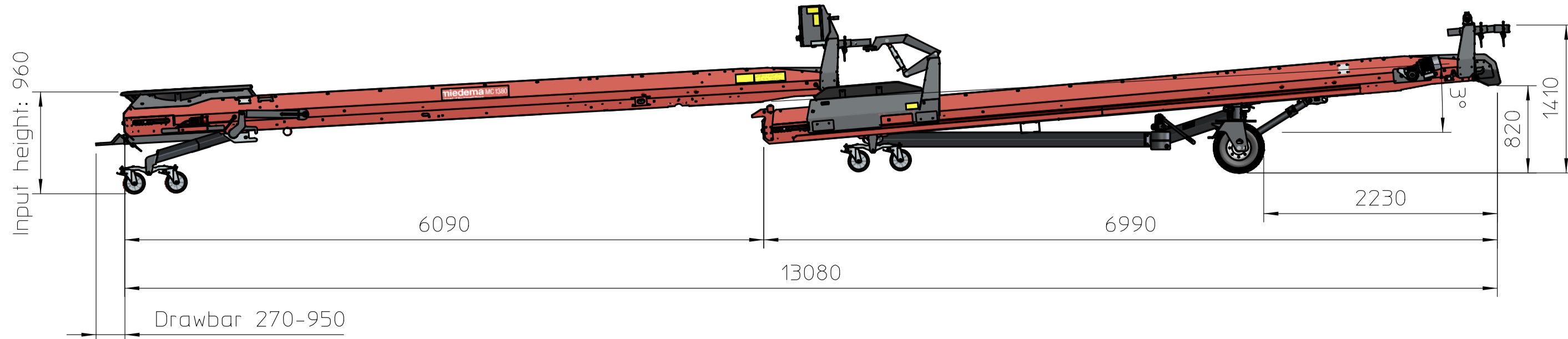
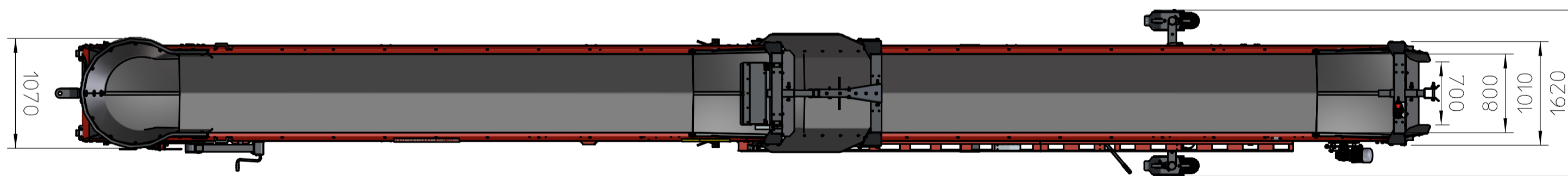


In combination with
Basic undercarriage
4x2 solid swivel wheels
Input height min. = 800
Input height max = 1400

In combination with
Basic undercarriage
2x2 pneumatic swivel wheels
Input height min. = 950
Input height max = 1550

In combination with
Comfort undercarriage
4x2 solid swivel wheels
Input height min. = 800
Input height max = 1400



Specifications MC 1380

Conveyor type	PVC
Conveyor wideness	800mm
Trough angle	35 degrees
Height adjustment	Hydraulic
Capacity	120 tonne/hour
2 speed	200 tonne/hour
Variable belt speed	1000 mm
Input diameter	380-420VAC / 50Hz / 3~
Voltage	440-480VAC / 60Hz / 3~
	200-220VAC / 60Hz / 3~
	220-240VAC / 60Hz / 3~
	190-210VAC / 50Hz / 3~
	580-620VAC / 60Hz / 3~
Weight	1560 kg
Drawbar load	300 kg

Optional

- Electric length adjustment
- Electric length adjustment with freewheel function
- Trough to flat set, execution by handle, 4,5m
- Inspection lighting, 17m cable, 230VAC / 50Hz / 1~
- Coupling element output side
- Coupling element input side
- Steering rod
- Forklift sleeve
- Oil and grease resistant, food safe and blue coloured conveyor belt.

dewulf
enjoy growing

Benaming: Duoband MC 80
Tech. omschr.: Maatschets

Alig. ruwheid: 3,2
Lastoleranties ISO 13920 BF
Alig. toleranties ISO 2768-mk
Opp. ruwheid ISO 1302

Laatste wijziging:

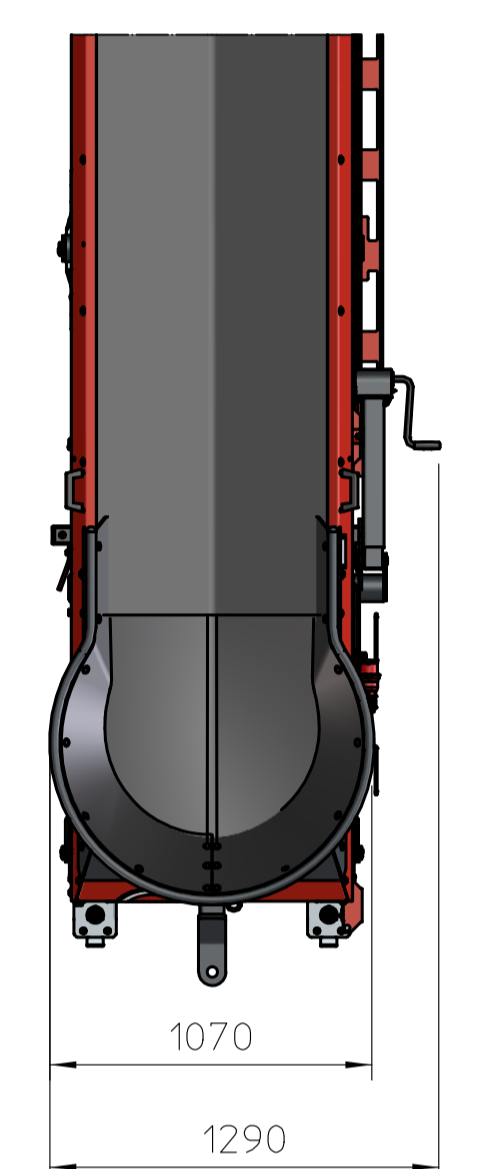
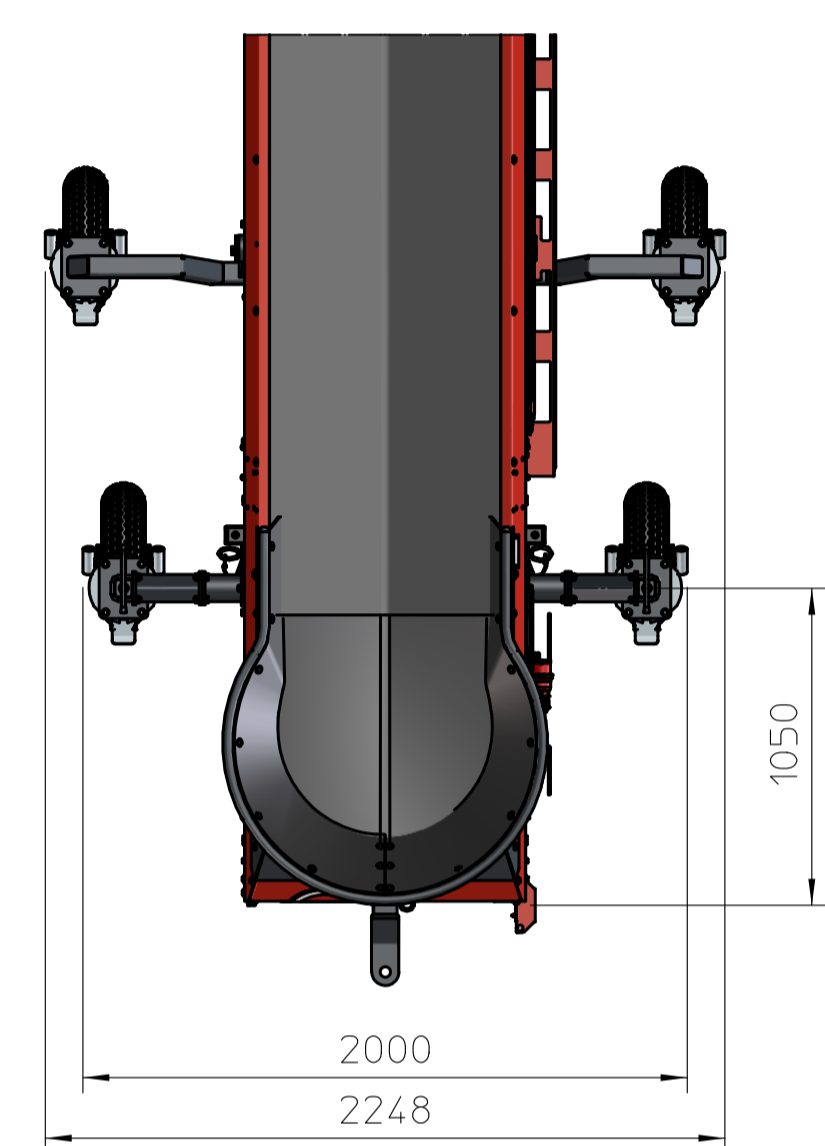
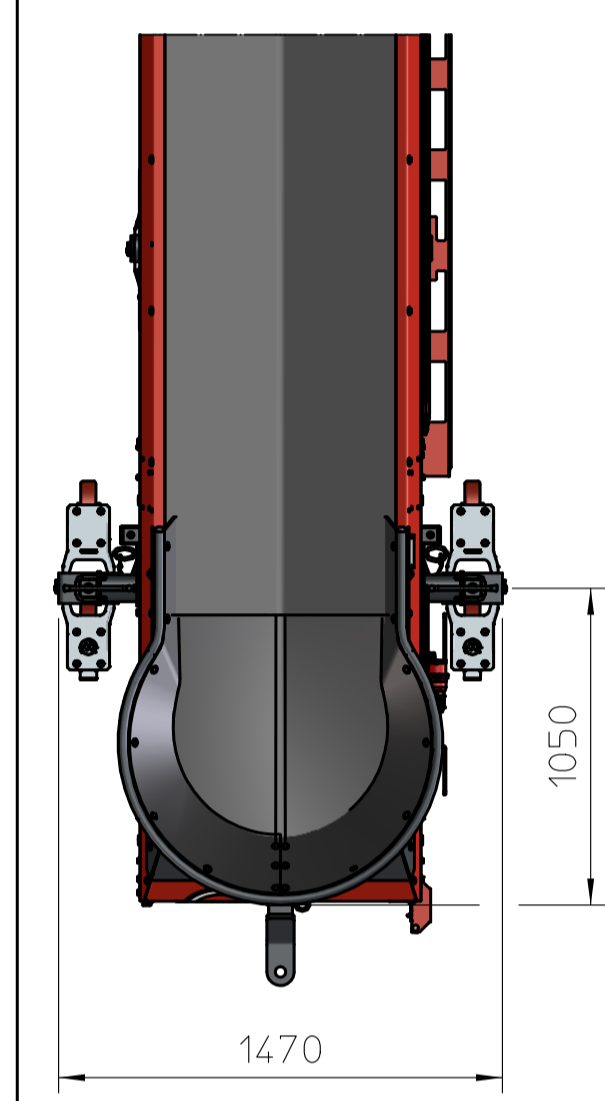
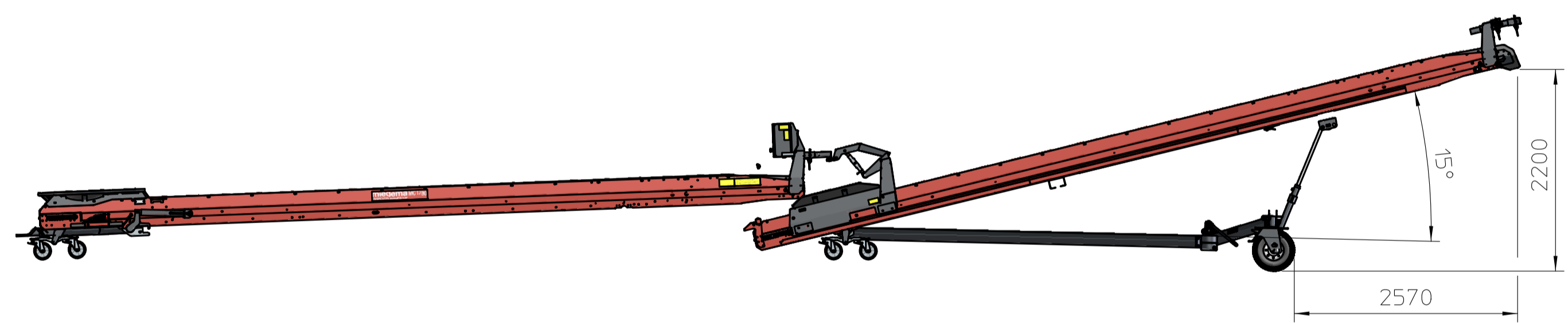
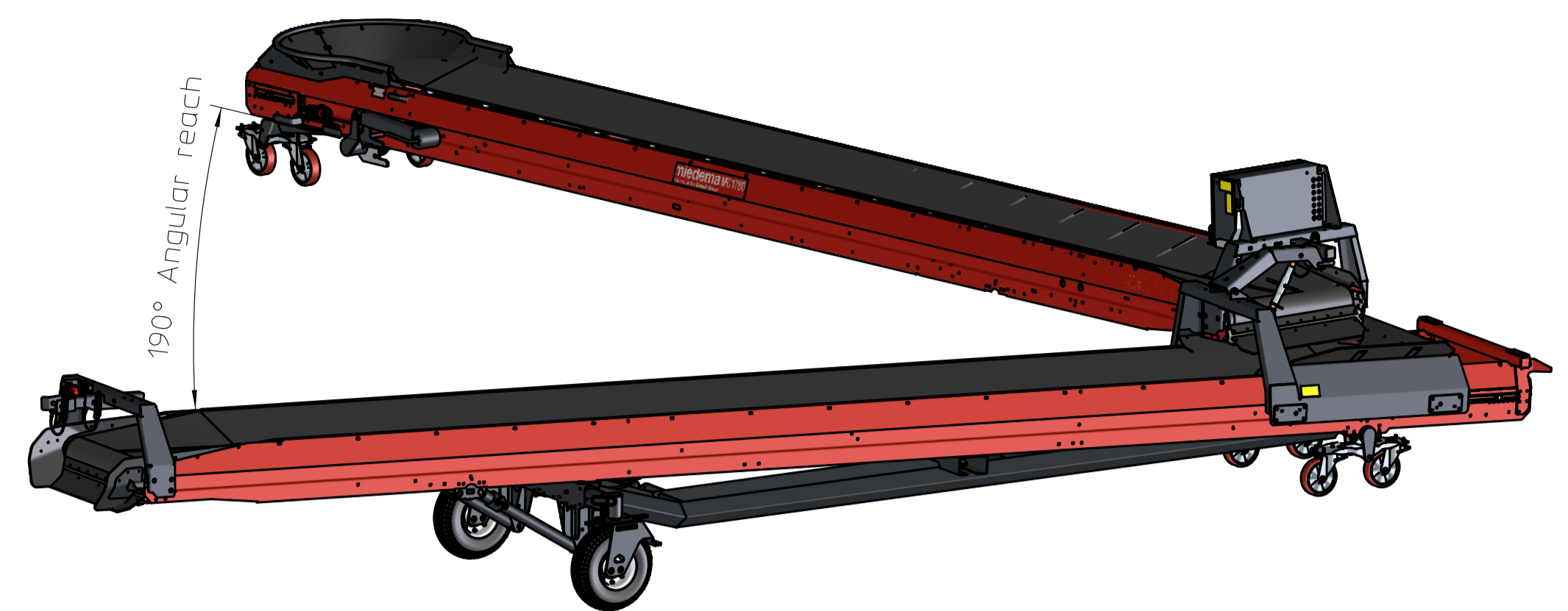
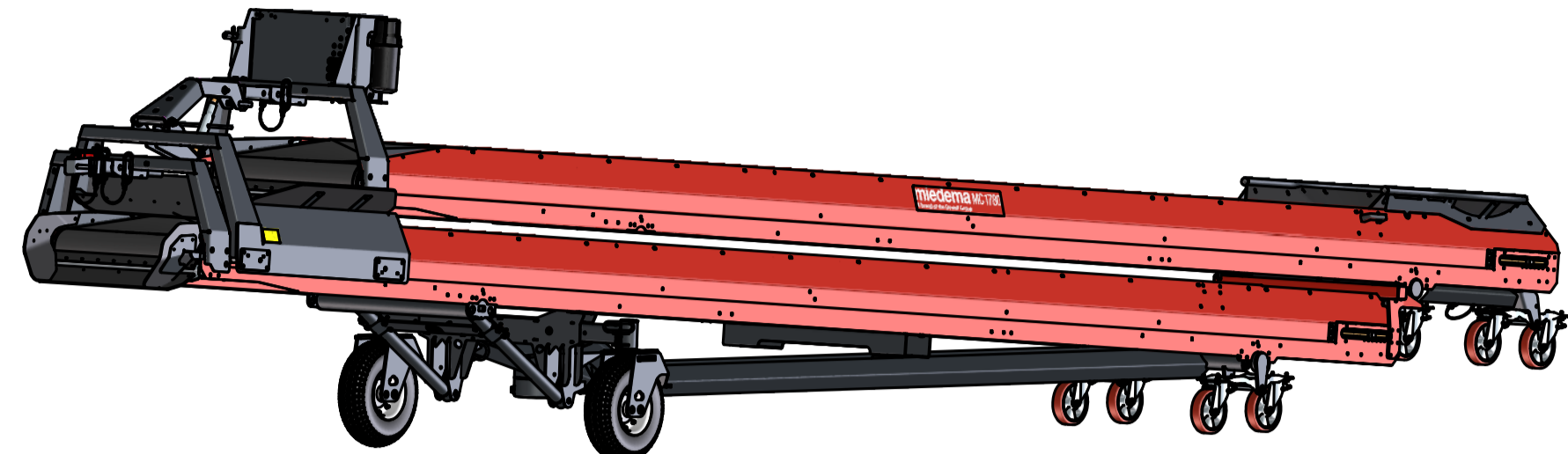
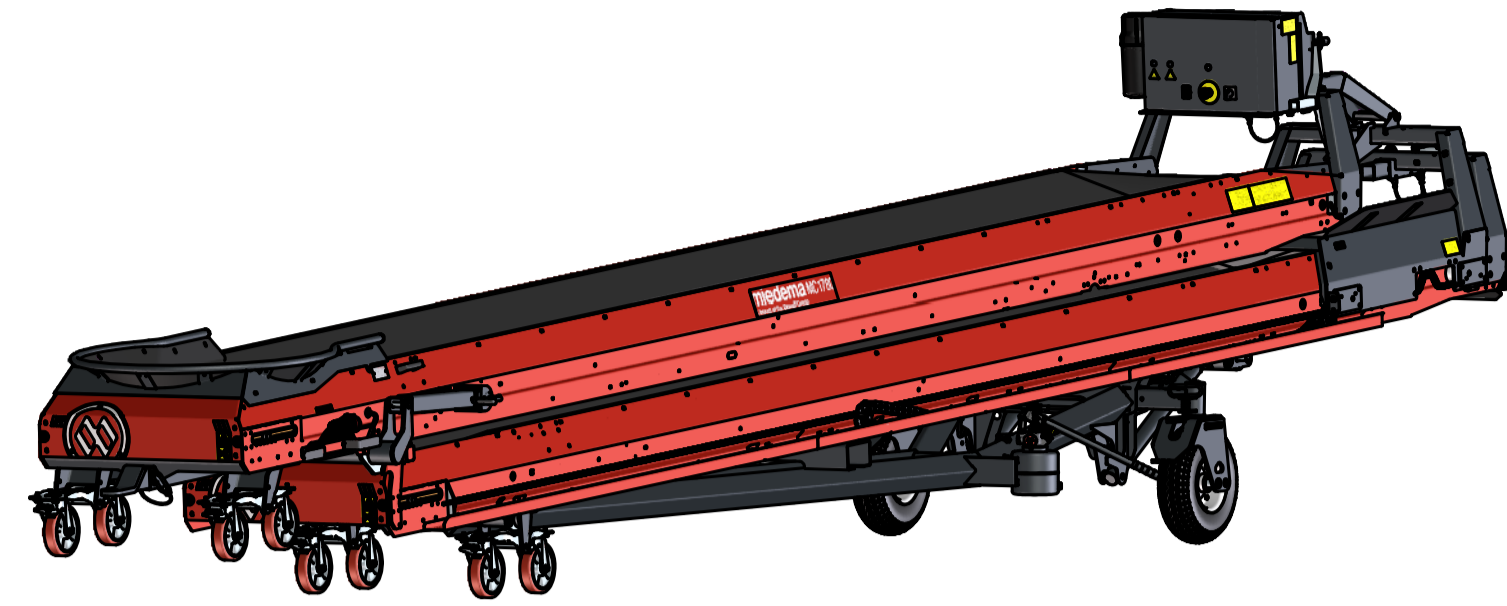
Am. proj.

Opp. beh.: Blank/ruw onbehandeld
Status: approved

Get.: HLS
Wijz. datum: 13/06/2022
Startdatum: 12/02/2016

Formaat: A1
Tek. nr.: MC 80
Versienr.: 8

Schaal: 1:40
Gewicht:



In combination with
Basic undercarriage
4x2 solid swivel wheels

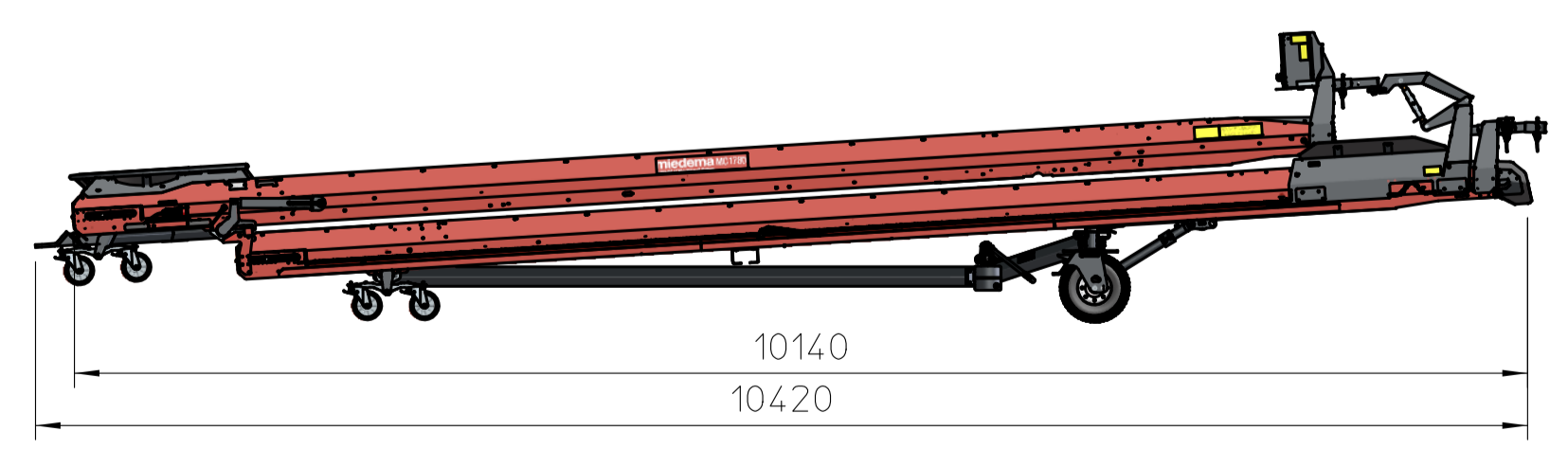
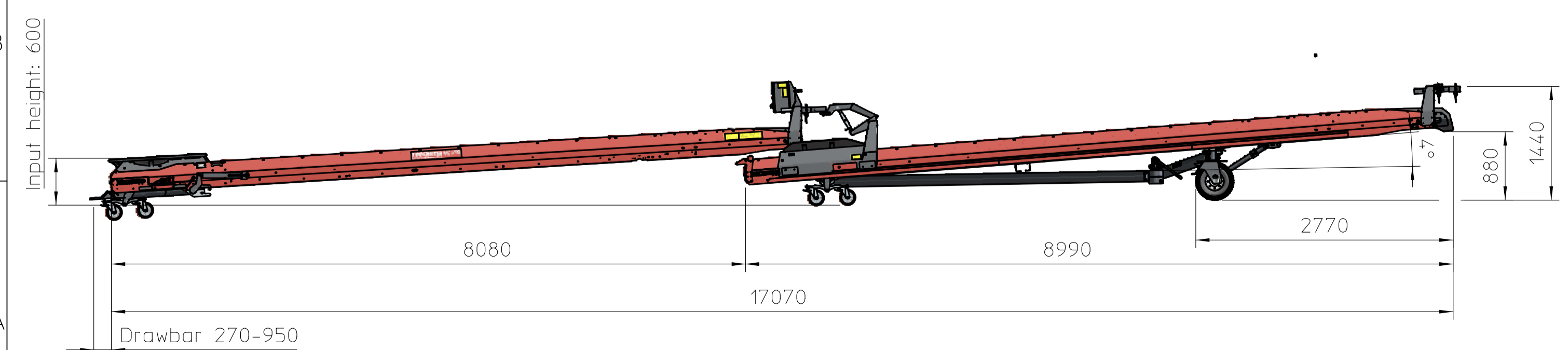
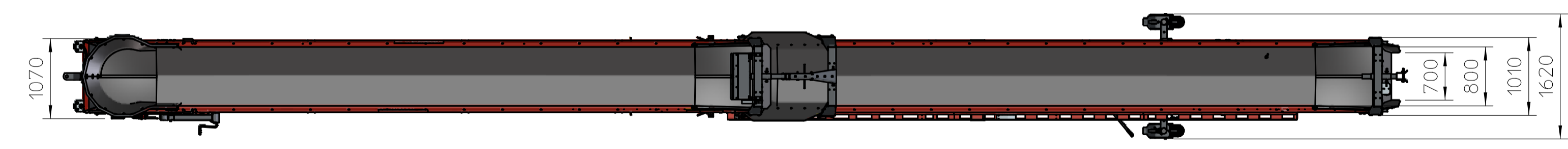
Input height min. = 800
Input height max. = 1400

In combination with
Basic undercarriage
2x2 pneumatic swivel wheels

Input height min. = 950
Input height max. = 1550

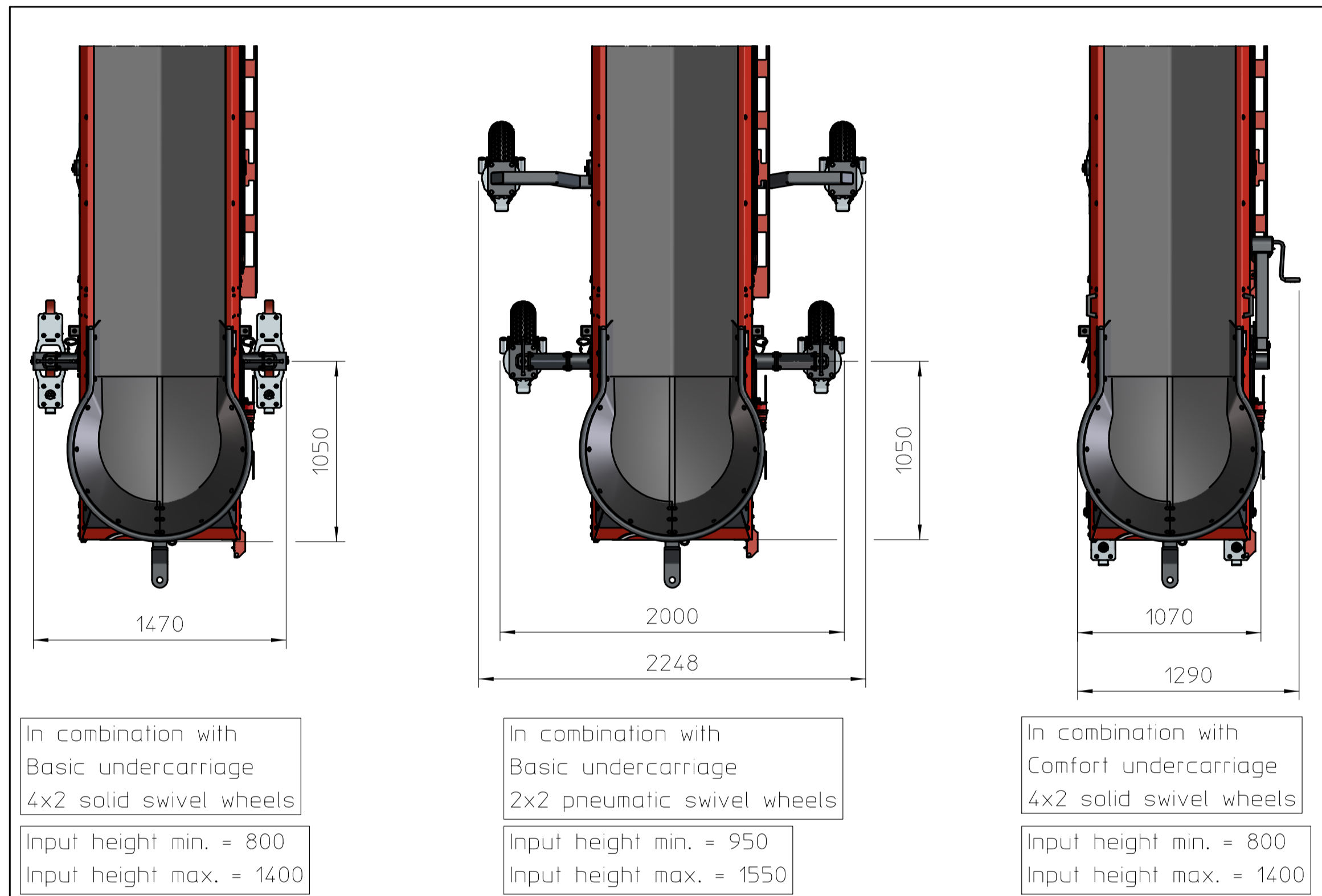
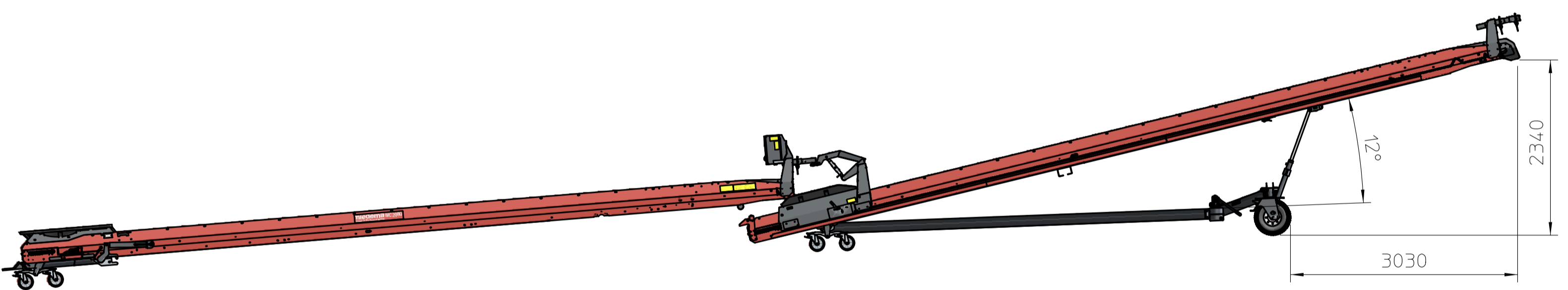
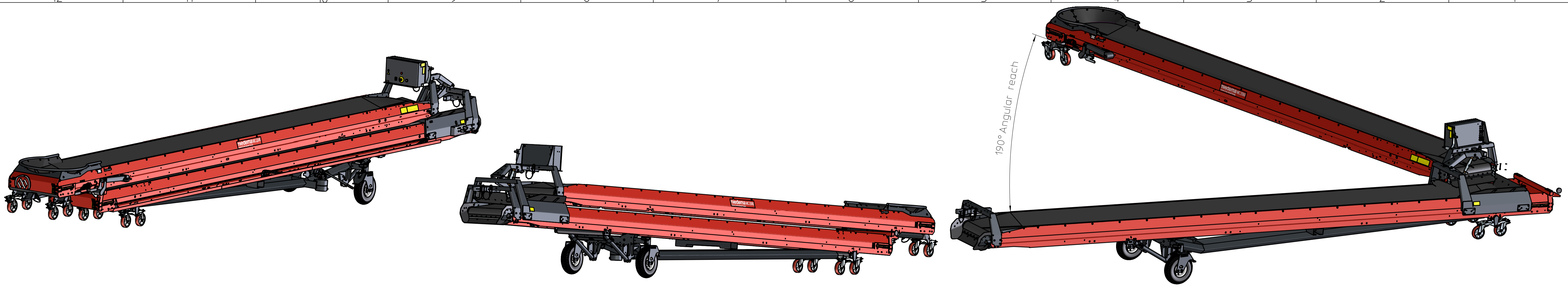
In combination with
Comfort undercarriage
4x2 solid swivel wheels

Input height min. = 800
Input height max. = 1400



Specifications MC 1780	
Conveyor type	PVC
Conveyor width	800mm
Trough angle	35 degrees
Height adjustment	Hydraulic
Capacity	
2 speed	120 tonne/hour
Variable belt speed	200 tonne/hour
Input diameter	1000 mm
Voltage	380-420VAC / 50Hz / 3~ 440-480VAC / 60Hz / 3~ 200-220VAC / 60Hz / 3~ 220-240VAC / 60Hz / 3~ 190-210VAC / 50Hz / 3~ 580-620VAC / 60Hz / 3~
Weight	1660 kg
Drawbar load	300 kg
Optional	
Electric length adjustment	
Electric length adjustment with freewheel function	
Trough to flat set, execution by handle, 4,5m	
Inspection lighting, 17m cable, 230VAC / 50Hz/ 1~	
Coupling element output side	
Coupling element input side	
Steering rod	
Forklift sleeve	
Oil and grease resistant, food safe and blue coloured conveyor belt	

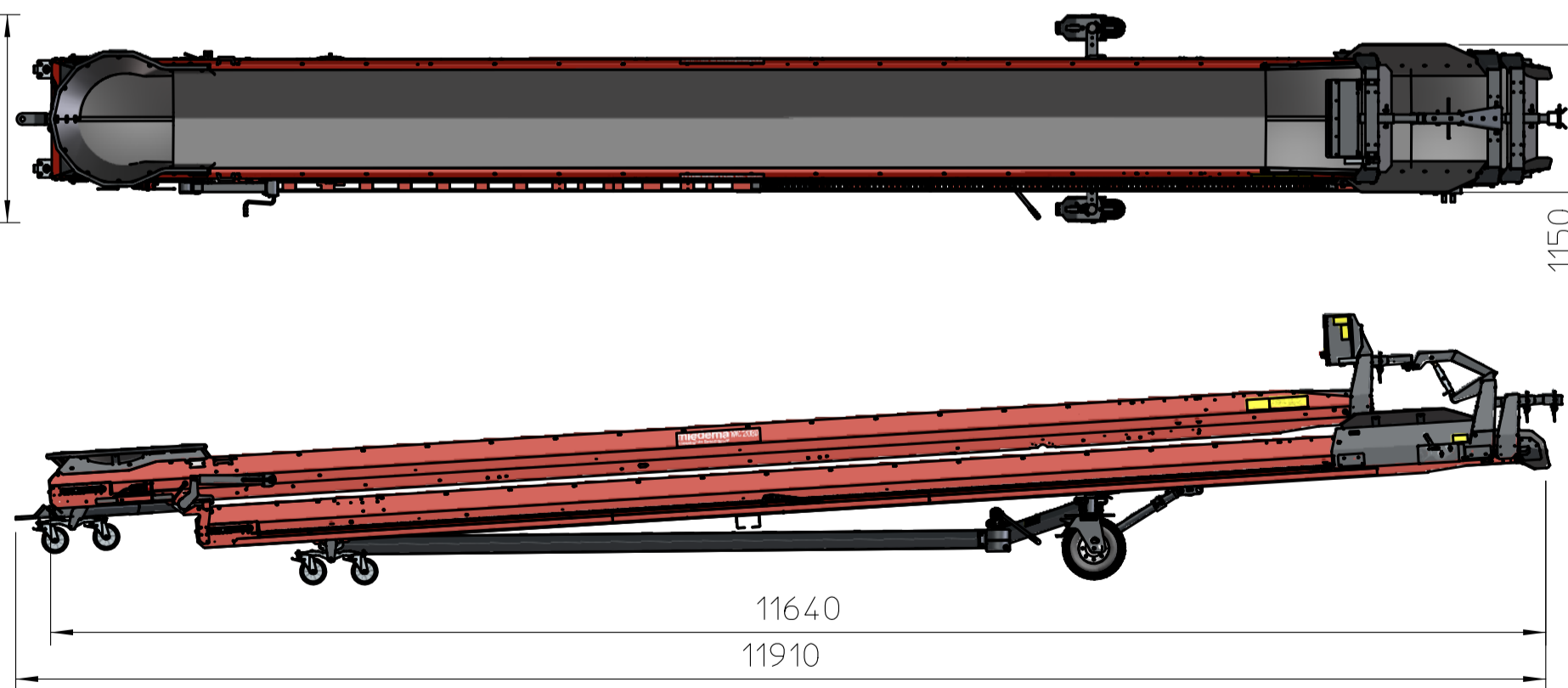
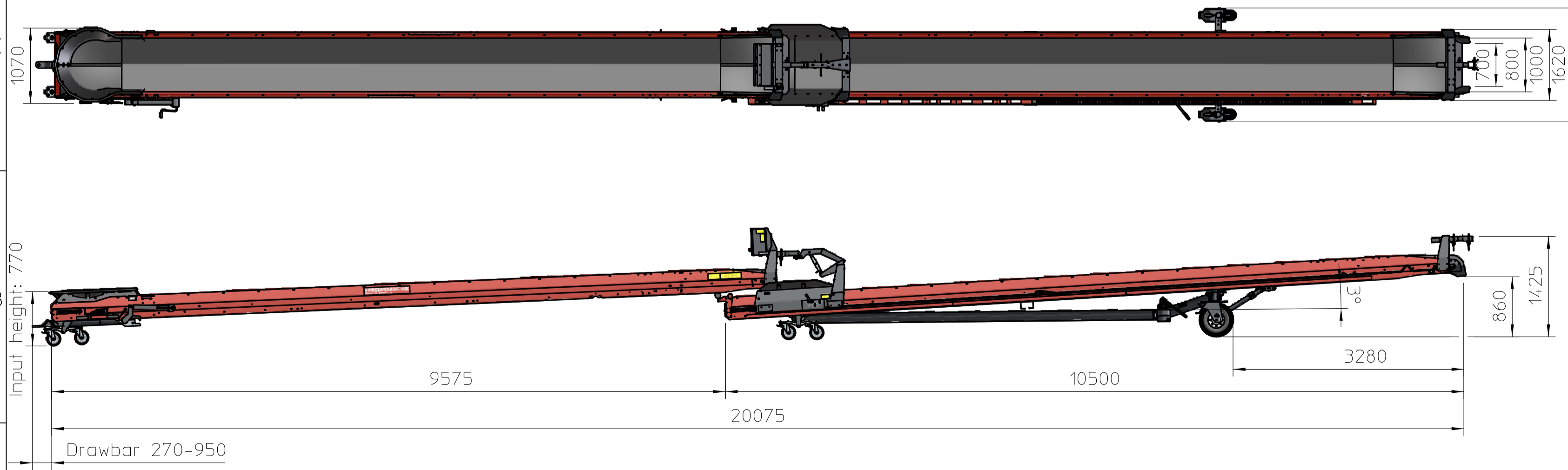
		Benaming	
		Duoband MC 80	
Alg. ruwheid 3,2 Laatste wijziging:	Lastoleranties ISO 13920 BF Alg. toleranties ISO 2768-mk Opp. ruwheid ISO 1302		Tech. omschr.
			Maatsch.
Am. proj.	Opp. beh. Blank/ruw onbehandeld Status approved		Formaat A1 Tek.nr. MC 80 Versienr. 8
	Get. HLS Gecont.		
Wijz.datum 13/06/2022			



In combination with
Basic undercarriage
4x2 solid swivel wheels
Input height min. = 800
Input height max. = 1400

In combination with
Basic undercarriage
2x2 pneumatic swivel wheels
Input height min. = 950
Input height max. = 1550

In combination with
Comfort undercarriage
4x2 solid swivel wheels
Input height min. = 800
Input height max. = 1400



Specifications MC 2080	
Conveyor type	PVC
Conveyor wideness	800mm
Trough angle	35 degrees
Height adjustment	Hydraulic
Capacity	
2 speed	120 tonne/hour
Variable belt speed	200 tonne/hour
Input diameter	1000 mm
Voltage	380-420VAC / 50Hz / 3~ 440-480VAC / 60Hz / 3~ 200-220VAC / 60Hz / 3~ 220-240VAC / 60Hz / 3~ 190-210VAC / 50Hz / 3~ 580/620VAC / 60Hz / 3~
Weight	1735 kg
Drawbar load	300 kg
Optional	
Electric length adjustment	
Electric length adjustment with freewheel function	
Trough to flat set, execution by handle, 4,5m	
Inspection lighting, 17m cable, 230VAC / 50Hz / 1~	
Coupling element output side	
Coupling element input side	
Steering rod	
Forklift sleeve	
Oil and grease resistant, food safe and blue coloured conveyor belt	

dewulf
enjoy growing

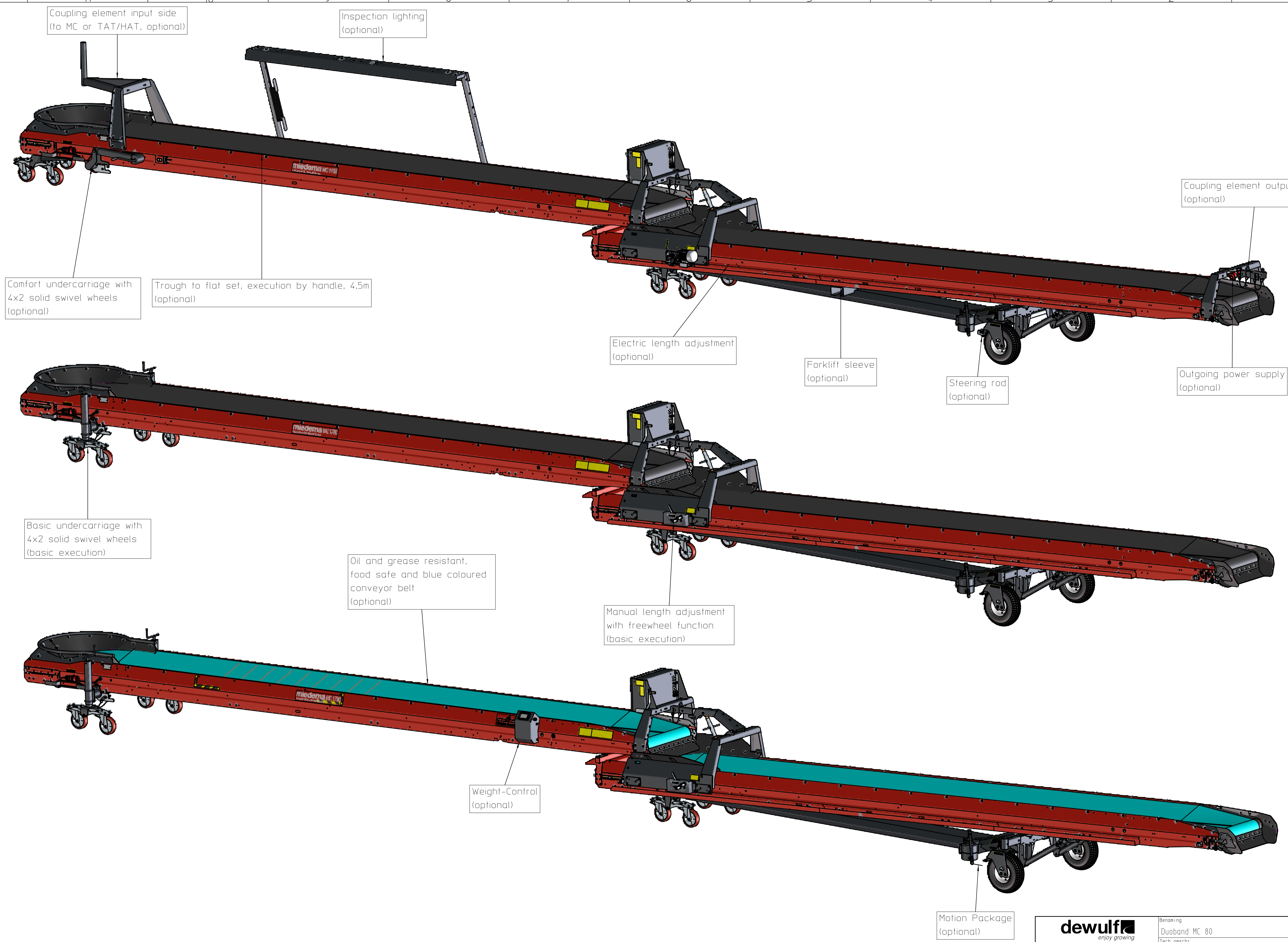
Benaming: Duoband MC 80
Tech. omschr.: Maatschets

Alg. ruwheid: 3.2
Lastoleranties ISO 13920 BF
Alg. toleranties ISO 2768-mk
Opp. ruwheid ISO 1302

Laatste wijziging: ()

Opp. beh.: Blank/ruw onbehandeld Status: approved

Get.: HLS Gecont.: Formaat: A1 Tek.nr.: MC 80 Versienr.: 8
Wijz.datum: 13/06/2022
Startdatum: 12/02/2016 Schaal: 1:40 Gewicht:



dewulf enjoy growing		Benaming: Duoband MC 80	
Alg. ruwheid: 3,2		Tech. omschr.: Maatschets	
Laatste wijziging:		Mat.: ()	
Opp. beh.: Blank/ruw onbehandeld		Status: approved	
Wijz. datum: 13/06/2022		Get. HLS Gecont. Formaat: A1 Tek.nr.: MC 80 Versienr.: 8	
Startdatum: 12/02/2016		Schaal: 1:20 Gewicht:	