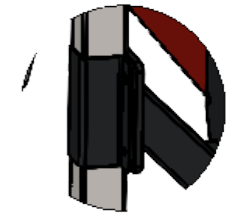
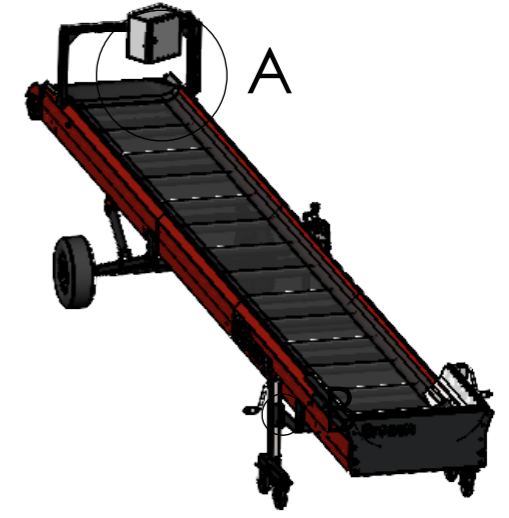


DETAIL A SCALE 1 : 25



DETAIL B SCALE 1 : 10



American projection		SIZE TOLLERANCES ACCORDING TO NEN-ISO 406		DO NOT SCALE DRAWING	
		FORM AND PLATE TOLERANCES ACCORDING TO NEN-ISO 1101		Project DVB.08.80	
		ROUGHNESS ACCORDING TO ISO 1302		Part	
Drafted by	Name CZ	Signature	Date 18-10-2022	Quantity 5	
Checked by	-		Finish:		
TYPE	Mounting composition		Weight	-kg	
				Draw.nr.	066.011.000.900
				Scale: 1:100	SHEET 1 OF 1

A3