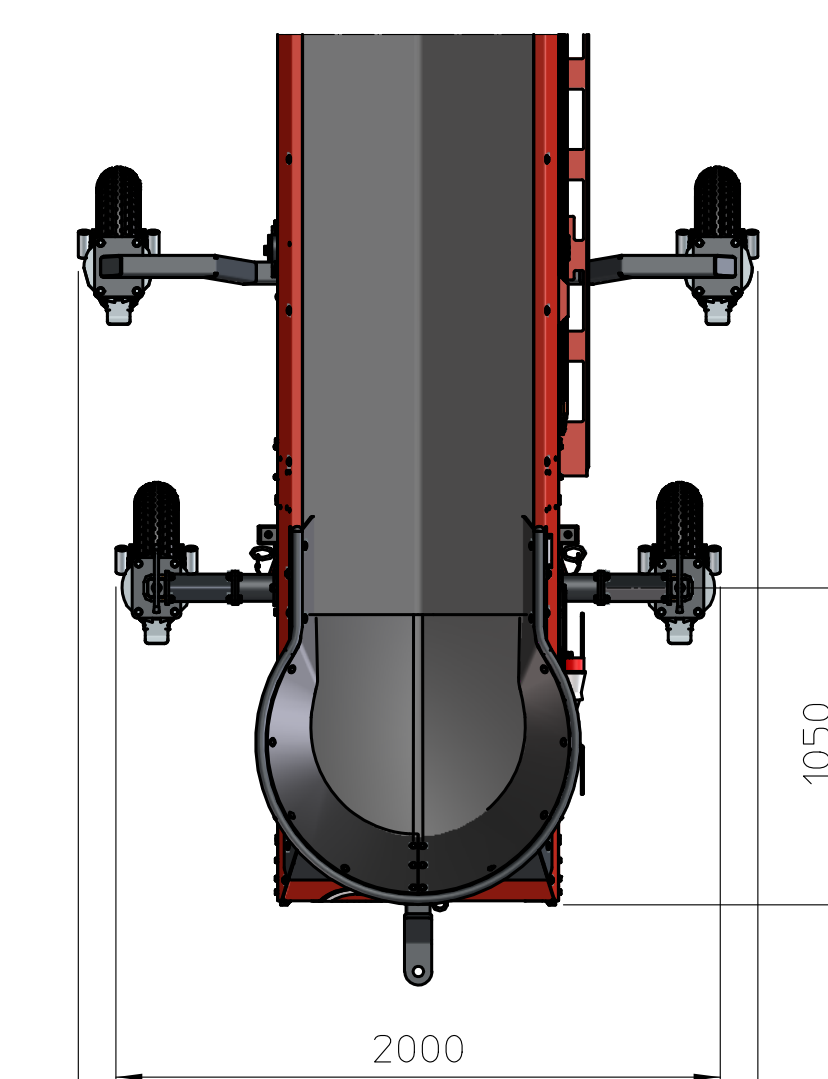


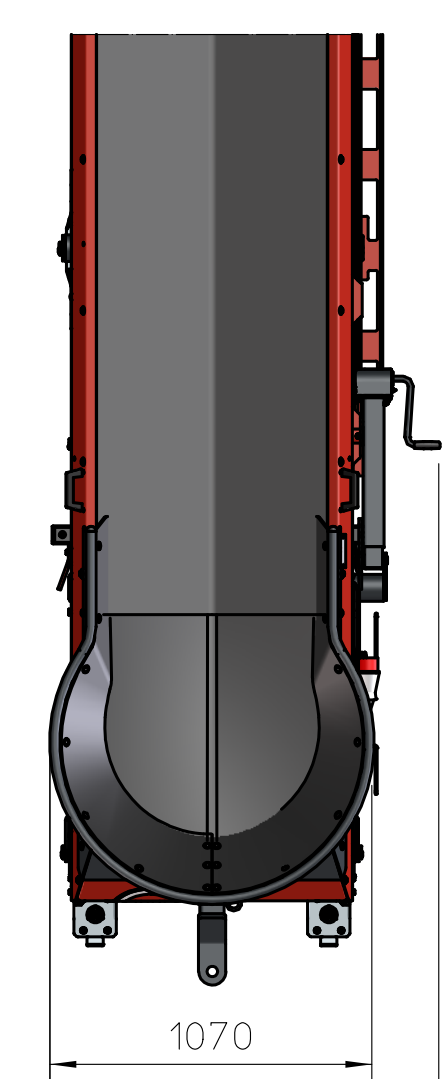
In combination with
Basic undercarriage
4x2 solid swivel wheels

Input height min. = 800
Input height max. = 1400



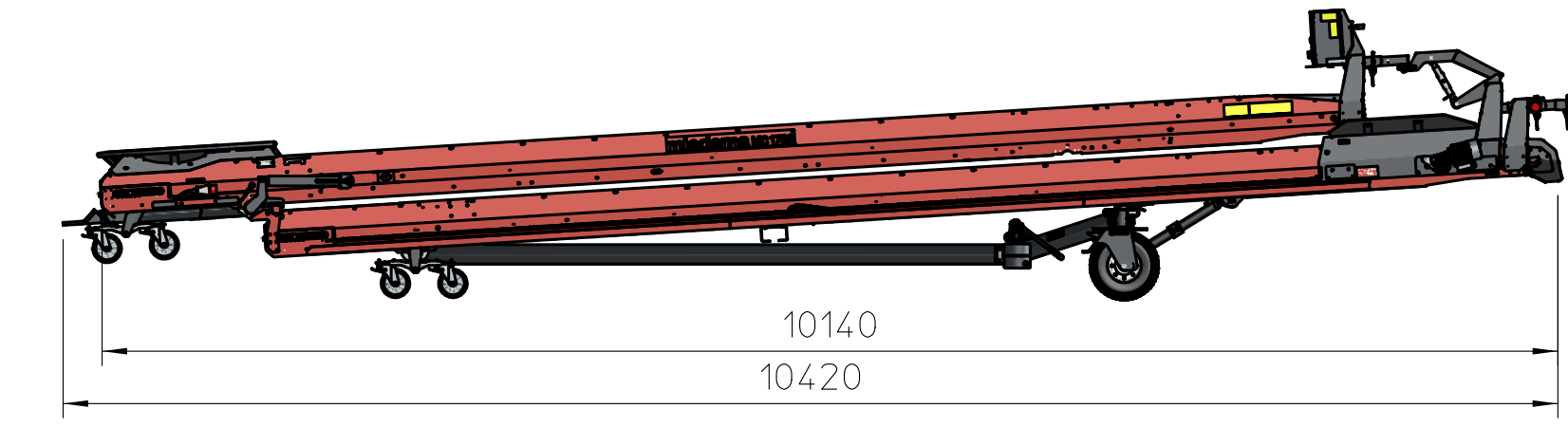
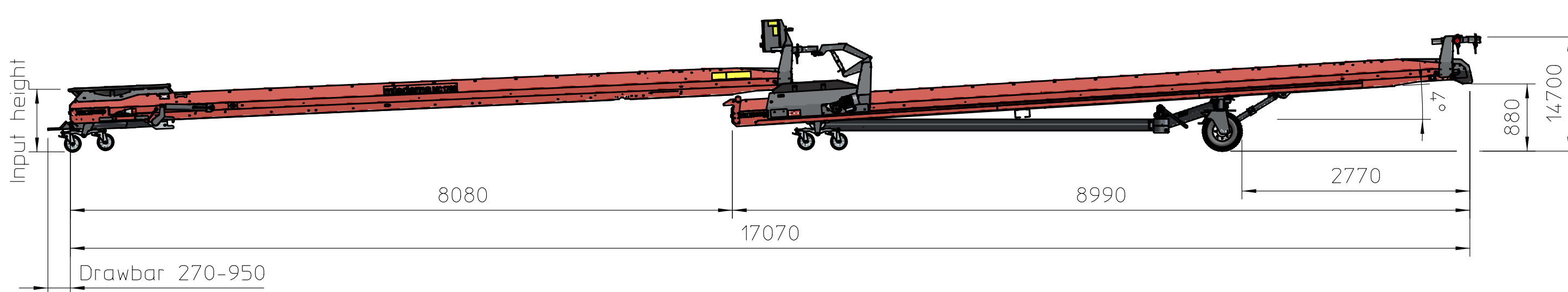
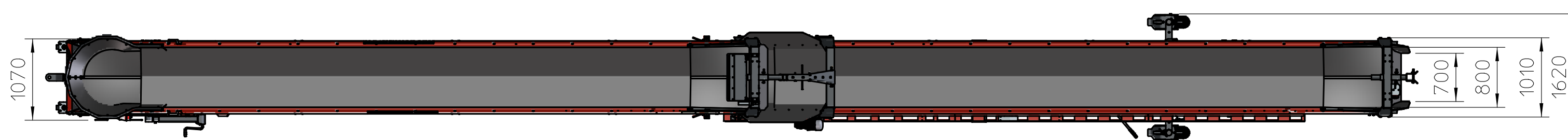
In combination with
Basic undercarriage
2x2 pneumatic swivel wheels

Input height min. = 950
Input height max. = 1550



In combination with
Comfort undercarriage
4x2 solid swivel wheels

Input height min. = 800
Input height max. = 1400



Specifications MC 1780	
Conveyor type	PVC
Conveyor width	800mm
Trough angle	35 degrees
Height adjustment	Hydraulic
Capacity	
2 speed	120 tonne/hour
Variable belt speed	200 tonne/hour
Input diameter	1000 mm
Voltage	380-420VAC / 50Hz / 3~ 440-480VAC / 60Hz / 3~ 200-220VAC / 60Hz / 3~ 220-240VAC / 60Hz / 3~ 190-210VAC / 50Hz / 3~
Weight	1660 kg
Drawbar load	300 kg
Optional	
Electric length adjustment	
Electric length adjustment with free wheel function	
Trough to flat set, execution by handle, 4,5m	
Inspection lighting, 17m cable, 230VAC / 50Hz/ 1~	
Coupling element output side	
Coupling element input side	
Steering rod	
Forklift sleeve	
Oil and grease resistant, food safe and blue coloured conveyor belt	
Outgoing power supply	

dewulf enjoy growing		Benaming Duoband MC 80	
Alig. ruwheid 3,2		Tech. omschr. Maatschets	
Laatste wijziging:		Mat. ()	
Am. proj.		Opp. beh. Blank/ruw onbehandeld Status work	
Wijz. datum 03/02/2021		Get. HLS Gecont. A1 MC 80 Versienr 5	
Startdatum 12/02/2016		Schaal 1:40 Gewicht	